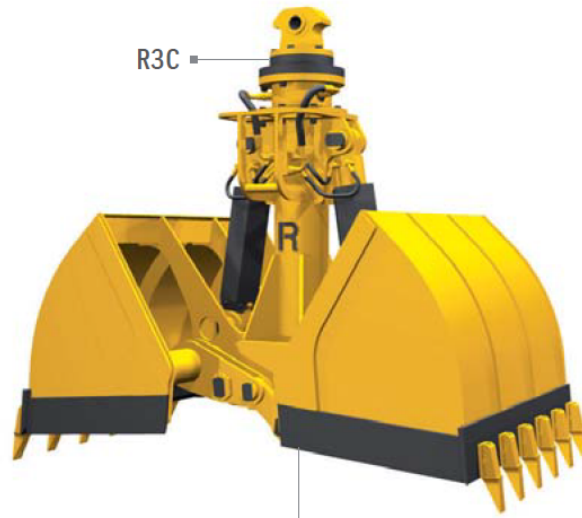


Aleron Clam Shell Grab



Key Features

- Heavy Duty / large capacity grab
- Can be powered subsea or from the surface
- Comes with quick connects for AUXROV use

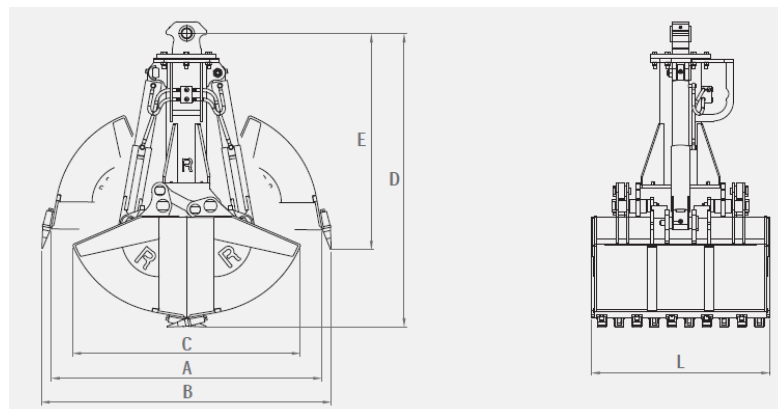
Description

The Clam Shell Grab is the perfect tool for heavy duty debris recovery operations. With its large volume capacity and heavy duty closing force it collects subsea debris efficiently.

The system can be used with the Aleron Ltd AUXROV for subsea power and fine control or it can be deployed with a vessel crane and powered from the surface.

Overall Specifications

Capacity	2450dm ³	
Weight	2650kg	
Oil Flow	260L/min	
Tooth Force	11,260kg	
Dimensions (from image below)	A 2570mm	D 2820mm
	B 2750mm	E 2060mm
	C 2310mm	L 1700mm



WHATS INCLUDED

Hydraulic Grab
AUXROV interface (if needed)
Operational hoses
Operations Manual

OPTIONS

Surface HPU
Downlines
Hydraulic Hose Reel

PRODUCT CODE

RQ-103

Web: www.aleron-group.com

Email: info@aleron-group.com

Tel: +44 (0) 1467 424060