

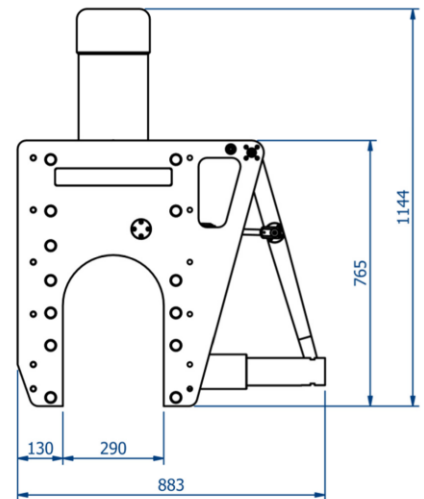
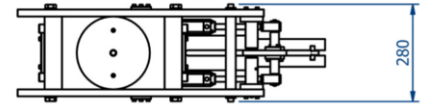
RQ-152 – HCV270 Cable, Umbilical & Riser Cutter

WHATS INCLUDED

HCV270 Cutter.
Operational hoses.
Operations Manual.
Certificate Pack.

OPTIONS

Buoyancy Module
Hot Stab Interface
Spares Kit.
Additional Blades.



Description

- Heavy duty cable, umbilical and riser cutter for use in severe working conditions
- Hydraulically operated anvil for easy ROV deployment
- Robust plated steel construction
- All steel components are electroless nickel plated to resist corrosion
- Long blade life ensures that tool maintenance is kept to a minimum
- Can be used at any water depth
- Optional intensifier panel is available
- Cutting capacity – Maximum $\varnothing 270\text{mm}$
- Suitable for cutting cables, hydraulic lines, riser and umbilicals
- 690 bar maximum input pressure for main cylinder
- 210 bar max input pressure for anvil
- Approx weight in air – 375kg
- Approx weight in water – 324kg
- Swept volume cut stroke – 5.3 litres
- Swept volume return stroke – 2 litres
- Standard tool is shown above. Bespoke and custom designs to suit special applications are available on request