

# RQ-036 - Tritech Super ZipJet



### Key Features:

- ROV mounting system
- Modular pump core
- Multiple mounting configurations

### WHATS INCLUDED

Super ZipJet Pump.  
All hoses and Nozzles.  
Operations Manual.  
Certificate Pack.

### OPTIONS

Spares Kit.  
Quick Connects.  
Fluid Reservoirs.

### Description

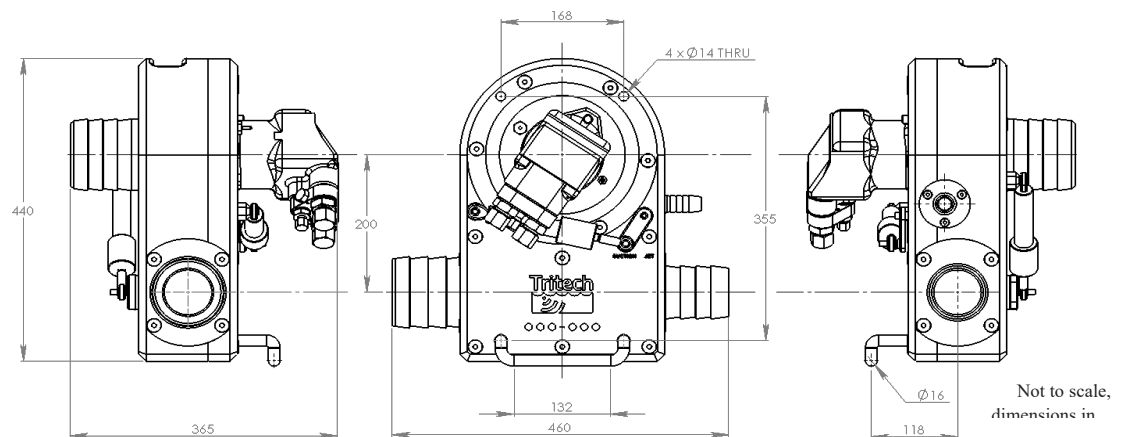
The Tritech Super ZipJet Dredge Pump supersedes the previously successful Tritech ZipJet Ultra Dredge Pump.

The Super ZipJet Dredge Pump operates in the same manner as the previous pump; however, the improved design increases the efficiency of both the suction and jetting modes, with improved reliability and a considerable reduction of maintenance costs.

The pump also incorporates a jetting system.

There are no moving parts on the dredging side of the system, and the pump will therefore not block or jam. Power is derived from a stream of high velocity fluid creating a low-pressure region behind the suction nozzle.

The pump can be rapidly switched from suction to jetting mode should there be a large obstruction in the nozzle.



## RQ-036 -Tritech Super ZipJet

### WHATS INCLUDED

Super ZipJet Pump.  
 All hoses and Nozzles.  
 Operations Manual.  
 Certificate Pack.

### OPTIONS

Spares Kit.  
 Quick Connects.  
 Fluid Reservoirs.

Hydraulic Motor Input	
Pressure	150 to 220 Bar (2200 to 3200 psi)
Flow	40 to 60 litres per minute (11 to 16 USgpm)
Actuator	
Minimum pressure	110 Bar (1595 psi)
Maximum pressure	240 Bar (3480 psi)
Hydraulic Fittings	
Motor A & B	No. 12 JIC male
Motor case drain	No. 6 JIC male
Actuator connection	No. 4 JIC male
Check Valve	
Normal	Tritech Volvo Protector Assembly
Alternative	Integrated Hydraulics FPR-1/22-0.5 (cracking pressure 0.5 bar)
Output	
Jetting performance	1000 litres per minute @ 2 Bar (270 USgpm)
Suction flow	500 - 1000 litres per minute (135 to 270 USgpm)
Solids removal rate	5 - 10 tonnes per hour (184 - 368 lb per minute)
Hose Dimensions (internal diameter)	
Jetting	25.4mm ID (1in)
Discharge	100mm ID (4in)
Suction	75mm ID (3in)
Clean Water Inlet	100mm ID (4in)
Weight and Materials	
Weight in air	25kg (55lb)
Weight in water	11kg (24lb)
Materials	Nylacast, UHMWPE